

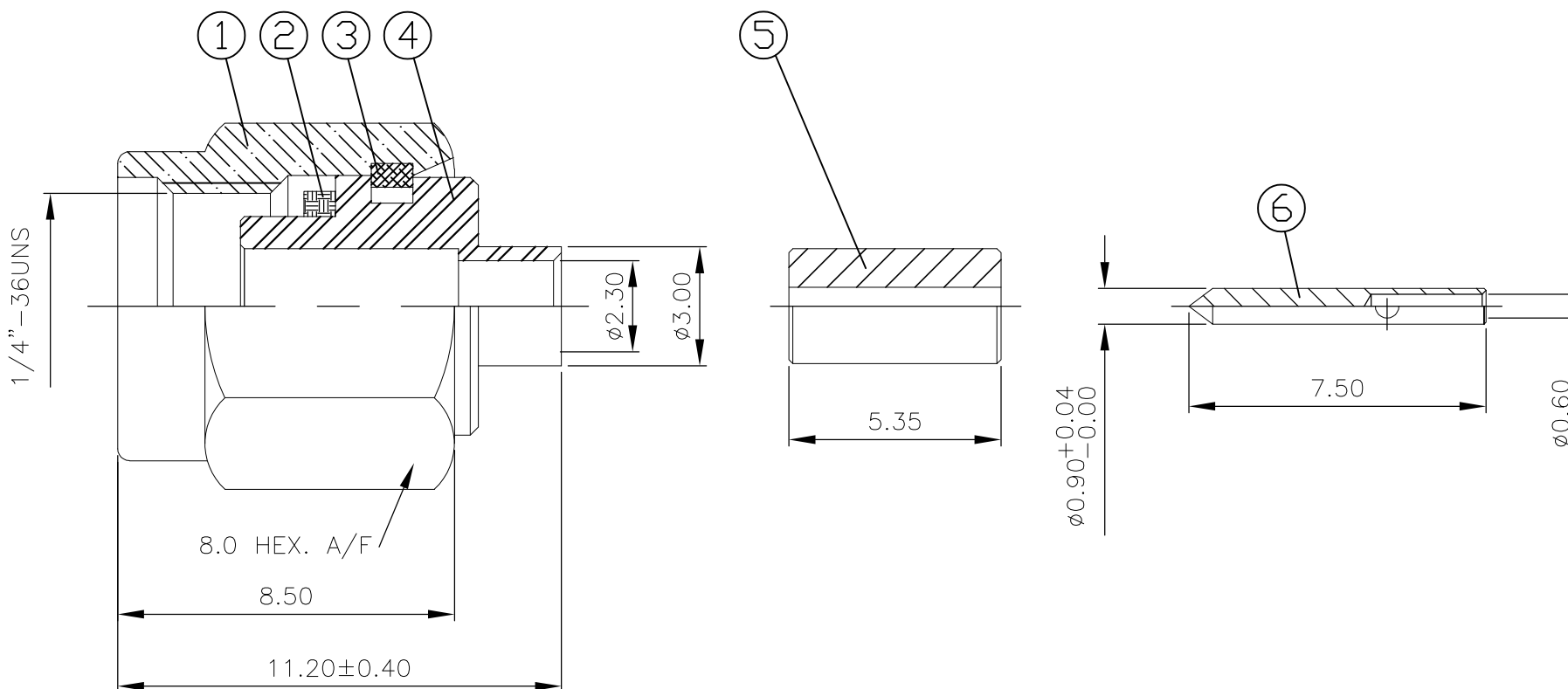
THIS DRAWING IS UNPUBLISHED. RELEASED FOR PUBLICATION APRIL, 2004.

© COPYRIGHT 2004 By - ALL RIGHTS RESERVED.

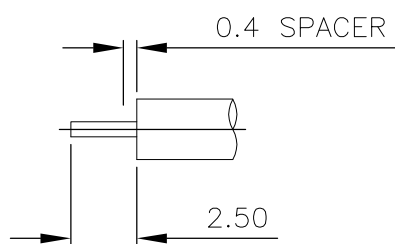
LOC	DIST	P	LTR	DESCRIPTION	DATE	DWN	APVD
E	B		A1	ECO-11-007944	15APR2011	RZ	MY

NOTES:

- 1 SINGLE PACK IN ACCORDANCE WITH SPEC 107-3275
- 2 100 TRAY PACK IN ACCORDANCE WITH SPEC 107-3275
- 3 0.08µm Au PLATING OVER 1.27µm Ni PLATING
- 4 0.08µm Au PLATING OVER 1.27µm Ni PLATING OVER 0.76µm Cu PLATING
- 5 0.76µm Au PLATING OVER 1.27µm Ni PLATING OVER 0.76µm Cu PLATING
- 6 PASSIVATED (GOLD PLATED CABLE ENTRY)
- 7 FOR TECHNICAL DATA REFER TO YOUR LOCAL TYCO ELECTRONICS SALES OFFICE
- 8 ALL DIMENSIONS ARE NOMINAL FOR REFERENCE ONLY UNLESS OTHERWISE STATED



RECOMMENDED CABLE STRIPPING DIM'S



QTY	1	2	3	4	5	6	7	8	MATERIAL	DESCRIPTION	ITEM	
	1	1	1	1	1	1	1	1	BRASS	△5	CENTER CONTACT	6
	1	1	1	1	1	1	1	1	PTFE		INSULATOR	5
	1	1	-	-	-	-	-	-	BRASS	△4	BODY	4
	-	-	1	1	-	-	-	-	STAINLESS STEEL	△6	BODY	4
	-	-	-	-	1	1	-	-	STAINLESS STEEL	△3	BODY	4
	1	1	1	1	1	1	1	1	STAINLESS STEEL		CIRCLIP	3
	1	1	1	1	1	1	1	1	SILICON		GASKET	2
	1	1	-	-	-	-	-	-	BRASS	△4	SHELL	1
	-	-	1	1	-	-	-	-	STAINLESS STEEL	△6	SHELL	1
	-	-	-	-	1	1	-	-	STAINLESS STEEL	△3	SHELL	1
	3--1	3--0	2--1	2--0	1--1	1--0			MATERIAL	DESCRIPTION	ITEM	
	△2	△1	△2	△1	△2	△1						

THIS DRAWING IS A CONTROLLED DOCUMENT.		DWN R.SMITH 28JAN04	STE TE Connectivity	
DIMENSIONS: mm		CHK S.PARLOW 28JAN04		
TOLERANCES UNLESS OTHERWISE SPECIFIED:		APVD F.WHEELER-KING 28JAN04	NAME SMA STRAIGHT PLUG DIRECT SOLDER NON CAPTIVE CENTRE CONTACT RG405/U	
0 PLC ± - 1 PLC ± - 2 PLC ± - 3 PLC ± - 4 PLC ± - ANGLES ± -		PRODUCT SPEC 108-112003	DRAWING NO A3 00779 C-1478904	
MATERIAL SEE TABLE		FINISH -	WEIGHT -	RESTRICTED TO -
		CUSTOMER DRAWING		SCALE 1:1 SHEET 1 OF 1 REV A1